

# MOTIV-8



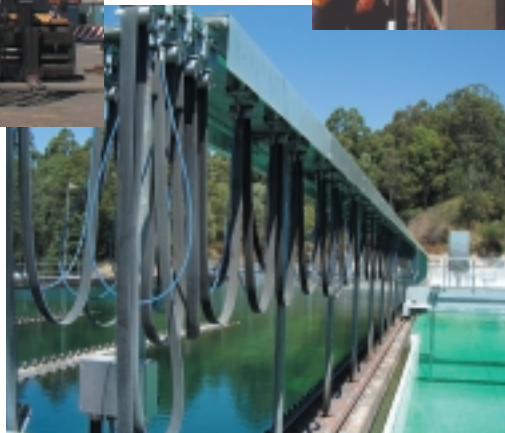
**CONDUCTIX**  
INSUL 8

© DELACHAUX GROUP

[www.conductix.com.au](http://www.conductix.com.au)

FLEXIBLE CABLE SYSTEMS

# CONDUCTIX FLEXIBLE CABLE SYSTEMS



- Designed and manufactured in Australia.
- Proven in applications throughout the world for over 25 years.
- Full range of capacities and track profiles.
- Ex-stock or custom designed.
- Manufactured from plastic, mild steel or stainless steel.
- Broad range of high quality rollers.
- Carrying capacity from 6 to 500kg per trolley.
- All accessories including cable, glands and buffers available.
- Systems available pre-assembled.

Your local Conductix distributor:



## VICTORIA

Head Office:  
14 England Street  
Dandenong VIC 3175  
Phone: (03) 9706 8844  
Fax: (03) 9794 9298

## NEW SOUTH WALES

4/77 Newton Road  
Wetherill Park NSW 2164  
Phone: (02) 9604 9800  
Fax: (02) 9604 9844

## QUEENSLAND

52 Lysaght Street,  
PO Box 6211  
Acacia Ridge D.C. QLD 4110  
Phone: (07) 3219 6911  
Fax: (07) 3344 5377

## WESTERN AUSTRALIA

592 Albany Highway,  
Victoria Park, WA 6100  
Phone: (08) 9355 2077  
Fax: (08) 9355 2088

**info@conductix.com.au**  
**www.conductix.com.au**

	Carrying Capacity kg	Recommended Maximum Speed (m/min)
<b>System Selection Enquiry Sheet</b>		
<b>Wire Rope Systems</b>	6	30
<b>C-Track Systems:</b>		
- Standard Duty	15	70
- Medium Duty	25	70
- Heavy Duty	50	90
<b>Square Track Systems:</b>		
- Standard Duty	25	80
- Heavy Duty	80	100
<b>I-Beam Systems:</b>		
- Standard Duty	25	30
- Medium Duty	50	100
- Heavy Duty	125-500	240
<b>Extra Heavy Duty Systems</b>	125-500	240
<b>Accessories:</b>		
- Cable		For higher speeds please contact Conductix
- Cable Glands		
- Rubber Buffers		
- Pre-Assembled Systems		

# SYSTEM SELECTION

**System selection can be carried out by following the steps below, or, by completing the ‘Enquiry Sheet’ and forwarding it to Conductix for recommendation:**

1. In selecting the correct system the following should be taken into consideration, length of travel, available ambush, depth of cable loop, speed, duty cycle and environmental condition.
2. Determine the quantity and size of cables required and allow for possible future additions.
3. Prepare a layout of the cable stack with the largest cable on the top. Select a saddle to suit the cable stack allowing for bending radius of the largest cable.
4. Calculate the cable load per trolley as follows:-

$$\text{load} = \text{loop depth} \times 2 \times \text{total cable weight per metre.}$$

Select a suitable system for the calculated load and environmental conditions.

5. Determine the number of trolleys required as follows:-

$$N = \frac{LOR + L/F}{DOL \times 2}$$

Where:      N      = number of trolleys  
               LOR    = length of run including ambush  
               L/F     = loop factor (10% nominal)  
               DOL    = depth of loop

6. Determine the number of track lengths and joiners required, and allow for end stops, end clamps and track supports.
7. Select any required accessories such as cable glands, cable cleats, tow ropes or shock damping devices.
8. Recommended bracket spacing for C-track and Square track systems are as shown in the table below. The spacings indicated are based on the loadings within the ambush length and may be increased towards the opposite end.

Cable Trolley Load as a Percentage of the Systems Catalogued Carrying Capacity	100	75	50	30	25	10	5
Recommended Bracket Spacing mm	800	900	1000	1500	1750	2000	2500

**For high speed, heavy duty and curved systems please consult your Conductix representative.**



Customer Name: \_\_\_\_\_ Contact: \_\_\_\_\_

Project: \_\_\_\_\_ Phone/Fax: \_\_\_\_\_

**System Requirements:**

Application: \_\_\_\_\_

Preferred Track Profile: \_\_\_\_\_ I-beam Size: \_\_\_\_\_

Mean Running Time/Day \_\_\_\_\_ Maximum Speed \_\_\_\_\_ m/min Maximum Acceleration \_\_\_\_\_ m/s<sup>2</sup>

Environment: Indoor \_\_\_\_\_ Outdoor \_\_\_\_\_ Dusty \_\_\_\_\_ Corrosive \_\_\_\_\_

Operating Temp: min \_\_\_\_\_ °C max \_\_\_\_\_ °C System Voltage: \_\_\_\_\_ V

Active Travel: \_\_\_\_\_ m Available Storage Distance: \_\_\_\_\_ m

Total Track Length: \_\_\_\_\_ m Maximum Loop Depth: \_\_\_\_\_ m

**Cable:**

Quantity	No. and size of Conductors	W x T of Flat Cable	O.D. of Round Cable	Other

Cable Termination Lengths: \_\_\_\_\_ m

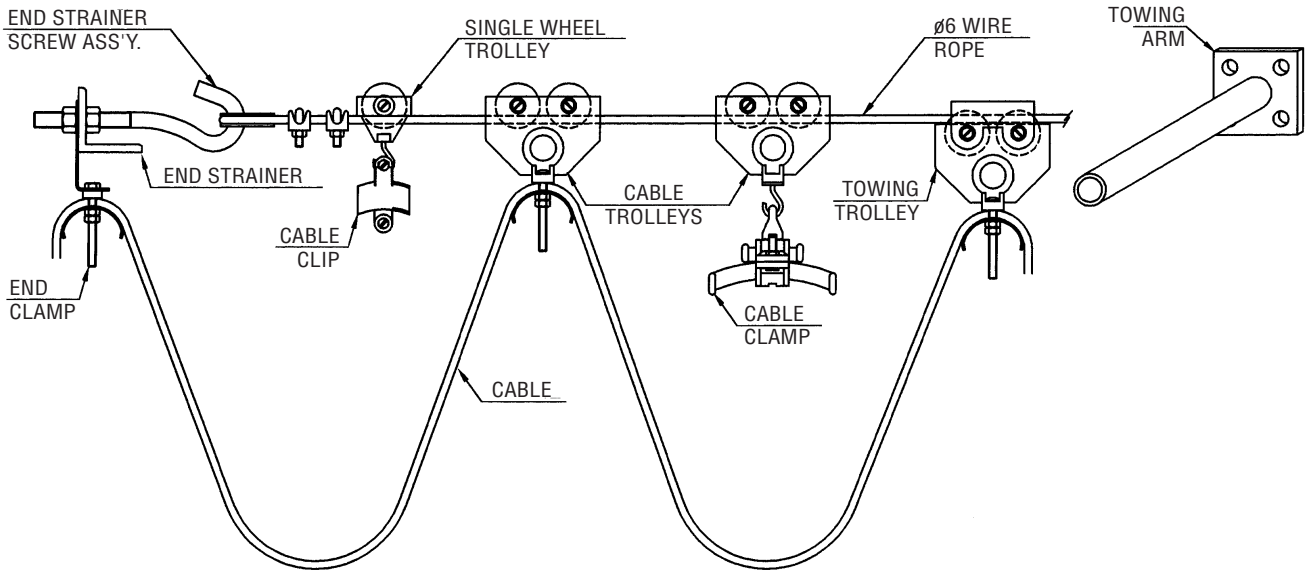
**Accessories:**

Cable Cleats: \_\_\_\_\_ Shock Cords: \_\_\_\_\_

Tow Ropes: \_\_\_\_\_ Pre-assembly: \_\_\_\_\_

**System Diagram:**

# WIRE ROPE SYSTEMS

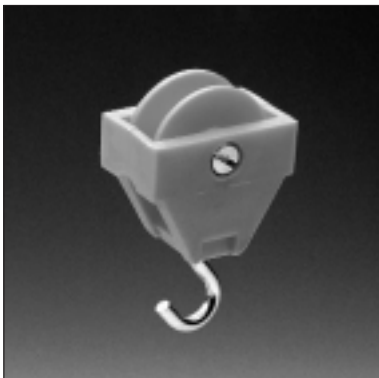


## FLAT CABLE SYSTEM

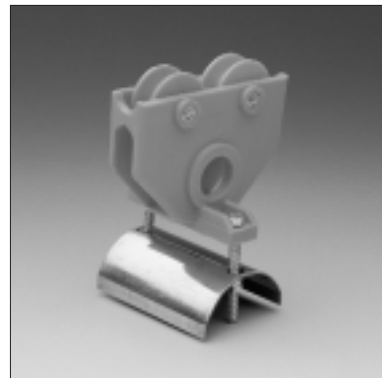
Part No.	Description	Part No.	Description
99755	6mm Dia. PVC Covered Wire Rope	10K58	Double Wheel Cable Trolley
99747	End Strainer Screw Assembly	T58	Towing Trolley
99752	End Strainer Bracket	19/380	Towing Arm, 380mm long
A58	End Clamp		

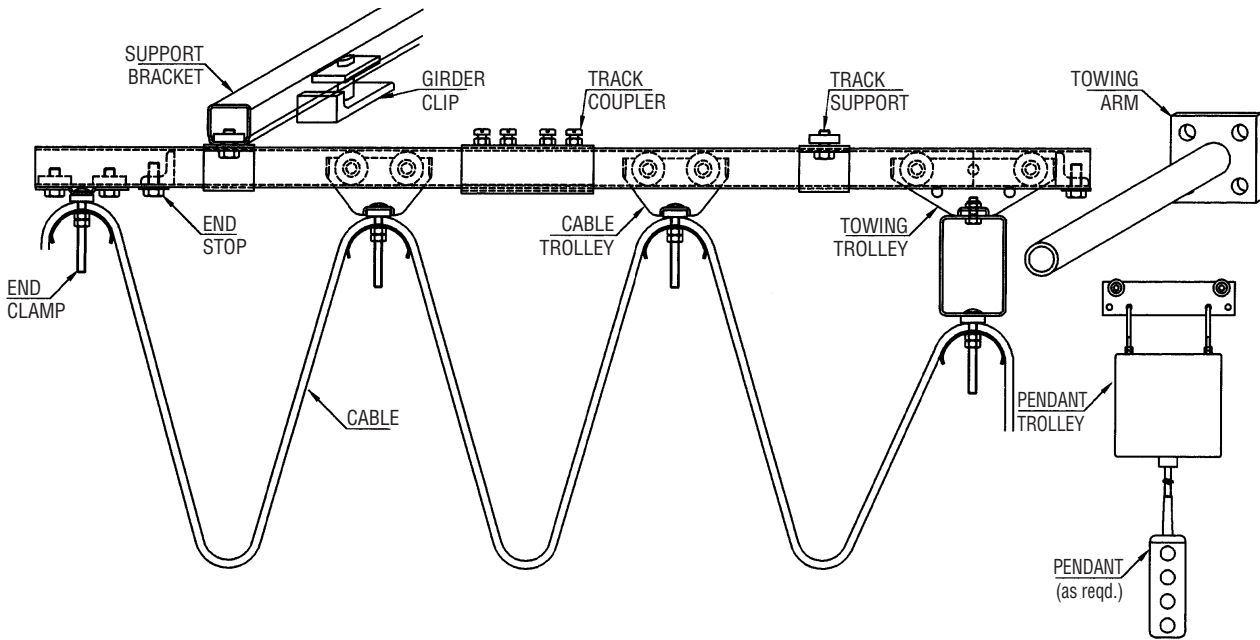
Part No.	Description	Part No.	Description
99755	6mm Dia. PVC Covered Wire Rope	19/380	Towing Arm, 380mm Long
99747	End Strainer Screw Assembly	RC0509	05-09mm Dia. Cable Clip
99752	End Strainer Bracket	RC0914	10-14mm Dia. Cable Clip
A58H	End Clamp	RC1519	15-19mm Dia. Cable Clip
5K58H	Single Wheel Cable Trolley	99270	10-16mm Dia. Cable Clamp
10K58H	Double Wheel Cable Trolley	99271	17-25mm Dia. Cable Clamp
T58H	Towing Trolley	99272	26-36mm Dia. Cable Clamp

Cable Trolley 5K58H

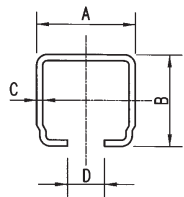
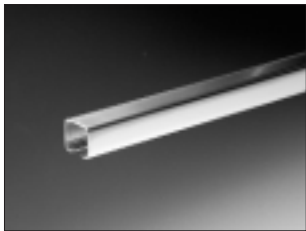


Cable Trolley 10K58

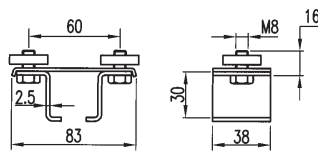




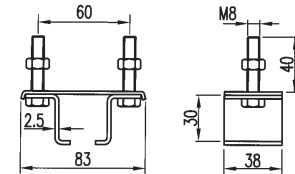
## TRACK, TRACK COUPLER & END STOP



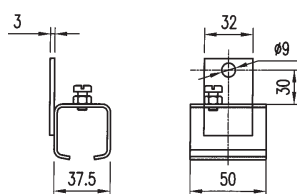
Duty	Track	A	B	C	D	Length	Coupler	End Stop
Standard	99280	32	30	1.6	12	4000	99221	99224
Medium	99220			2.0				
Heavy	99300	45	43	2.5		3000	99301	99303
S/S	27725	32	30	1.6	12	3000	27726	2378



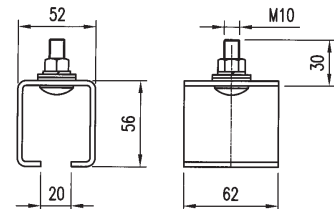
Standard & Medium Duty 99225



Standard & Medium Duty 99226

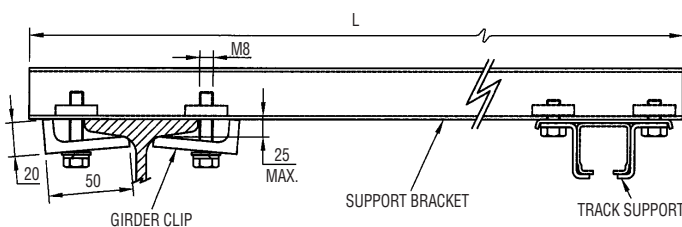


Standard & Medium Duty 99227



Heavy Duty 99304

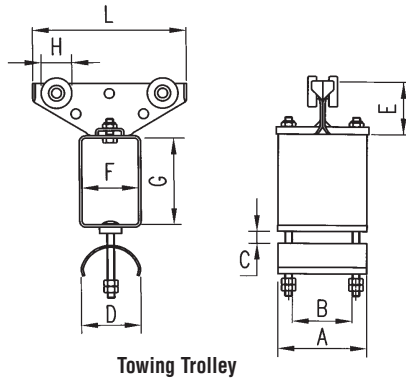
## SUPPORT BRACKET & GIRDER CLIP



Description	Part No.	L
Support Bracket	99247/250	250mm
	99247/500	500mm
	99247/750	750mm
	99247/1000	1000mm
Girder Clip	99232	
Track Support	99225	

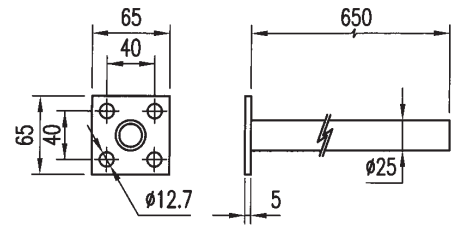
# 'C' TRACK FLAT CABLE TROLLEYS

## TOWING TROLLEY & ARM



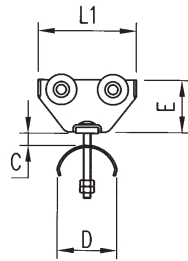
Towing Trolley

## TOWING ARM



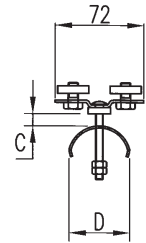
Towing Arm 99230

## CABLE TROLLEY PLASTIC 97035



Cable Trolley

## END CLAMP



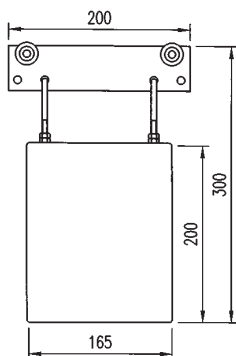
End Clamp

## CABLE TROLLEY STEEL

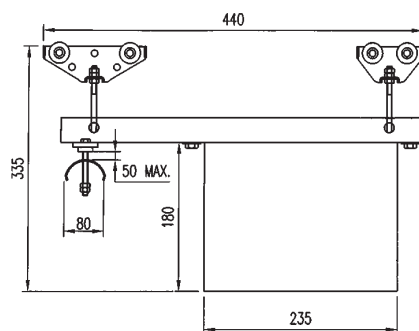


Duty	Tow Trolley	L	Cable Trolley	L1	A	B	C max	D	E	F	G	H dia.	End Clamp	
Standard and Medium	99240/072	125	97035/072	80	72	55	15	50	56	46	71	22	99243/072	
			99241/072										99243/100	
			99242/072										99243/072	
	99240/100	125	99242/100	125	100	80	36	80	45	46	71	22	99243/100	
			99241/100										99243/072	
	Heavy	99340/127	200	99242/127	200	127	104	22	80	56	66	92	32	99243/127
				99251/127										99243/160
99251/160				99343/127										
99341/160				99343/160										

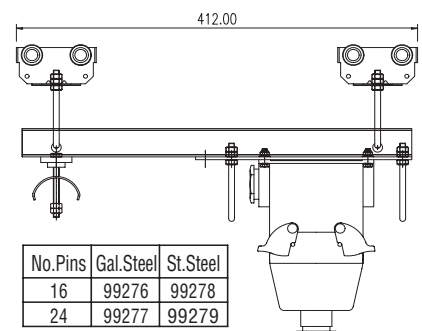
Note: Part number subscript denotes saddle width



Standard & Medium Duty 97036



Standard & Medium Duty 99246 Heavy Duty 99346

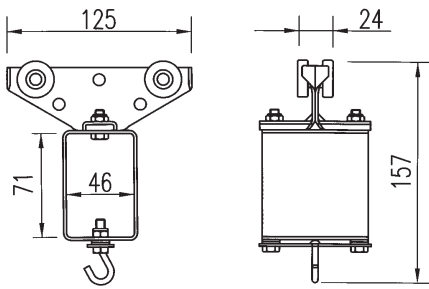


Pendant Trolley with Quick Connect Plug

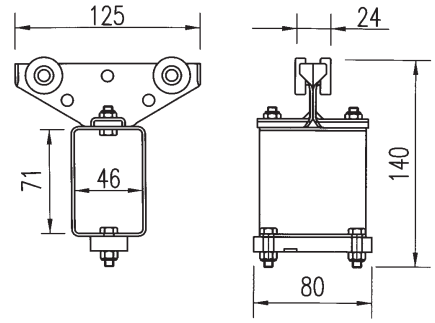


# 'C' TRACK ROUND CABLE TROLLEYS

## TOWING TROLLEY

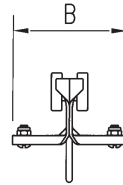
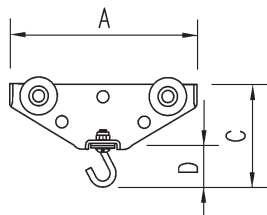


Towing Trolley 99267 to suit Round Cable Clip



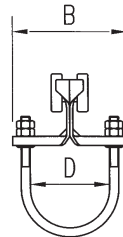
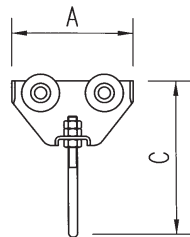
Towing Trolley 99254 to suit Round Cable Clamp

## CABLE TROLLEYS



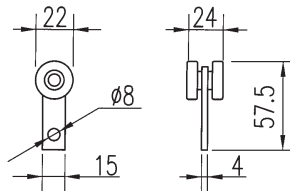
Trolley C/W Swivel Hook

Part No.	A	B	C	D
99264	80	72	68	25
99265	125			

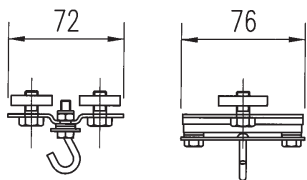


Trolley C/W "U" Bolt

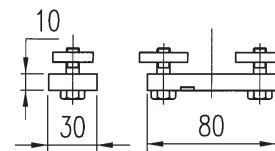
Part No.	A	B	C	D
99261	80	72	96	52
99262	125			



Single Wheel Trolley 99260



End Clamp 99266 to suit Round Cable Clip



End Clamp 99253 to suit Round Cable Clamp

## ROUND CABLE CLIPS



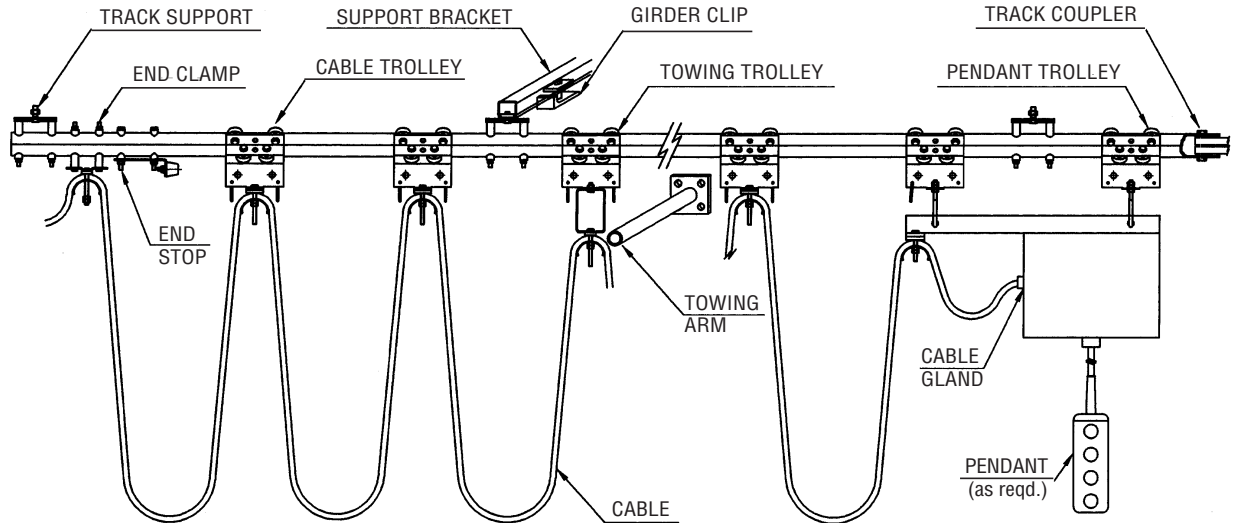
Part No.	Cable Dia.	
	Min.	Max.
RC0509	5	9
RC1014	10	14
RC1519	15	19

## ROUND CABLE CLAMPS

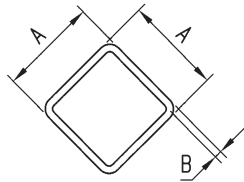
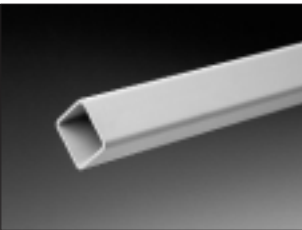


Part No.	Cable Dia.	
	Min.	Max.
99270	10	16
99271	17	25
99272	26	36

# STANDARD & HEAVY DUTY SQUARE TRACK & FITTING

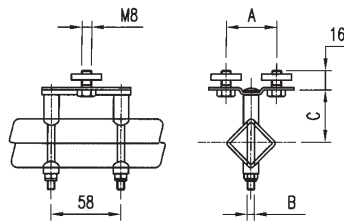


## TRACK, TRACK COUPLER & END STOP

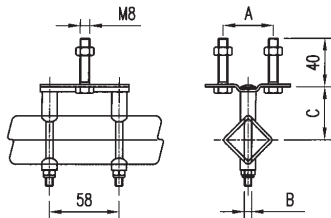


Duty	Type	Track	A	B	Length	Coupler	End Stop	Drill Jig
Standard	Galv.	99420	30	2.6	4000	99421	99424	99428
	S/S	99410	31.8	1.6	6000	99411	99414	
Heavy	Galv.	99520	40	3.0	4000	99521	99524	99528

## TRACK SUPPORTS



Track Support, Square Nut Type



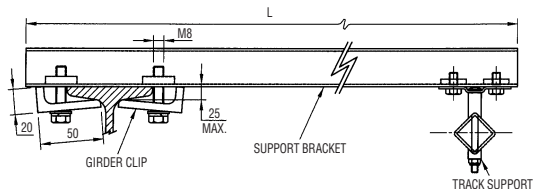
Track Support, Hex. Nut Type

Duty	Material	Type	Part No.	A	B	C
Standard	Z/P	Sq. Nut	99425	42	M6	46
	Z/P	Hex. Nut	99426			
	S/S	Sq. Nut	99415			
	S/S	Hex. Nut	99416			
Heavy	Galv.	Sq. Nut	99525	58	M8	52
	Galv.	Hex. Nut	99526			

## DRILLING JIG



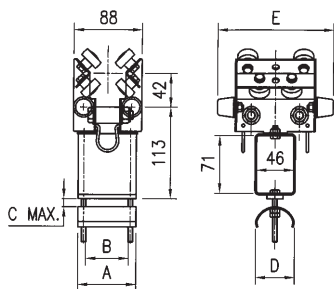
## SUPPORT BRACKET & GIRDER CLIP



Description	Part No.	L
Support Bracket	99247/250	250mm
	99247/500	500mm
	99247/750	750mm
	99247/1000	1000mm
Girder Clip	99232	
Track Support	99425	

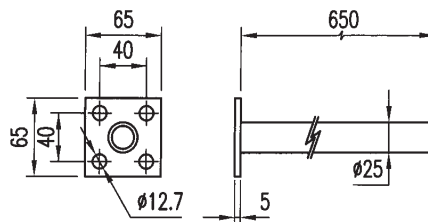
# STANDARD DUTY SQUARE TRACK FLAT CABLE TROLLEYS

## TOWING TROLLEY & ARM



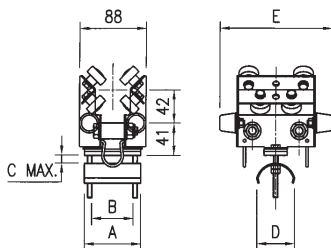
Towing Trolley

## TOWING ARM



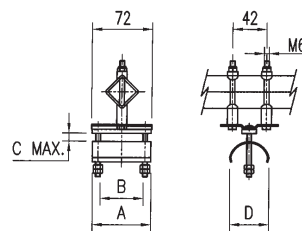
Towing Arm 99230

## CABLE TROLLEY



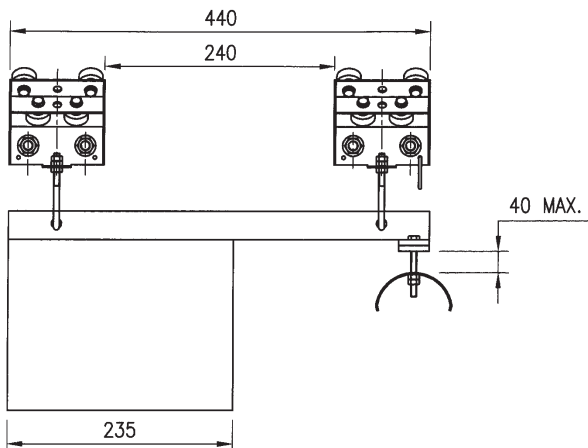
Cable Trolley

## END CLAMP

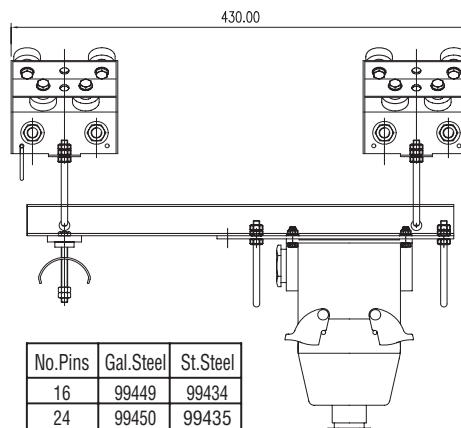


End Clamp

Tow Trolley		Cable Trolley		A	B	C (max)	D	E	End Clamp	
Zinc Plated	Stainless Steel	Zinc Plated	Stainless Steel						Zinc Plated	Stainless Steel
99480/072	99470/072	99484/072	99474/072	72	55	20	50	100	99443/072	99473/072
99480/100	99470/100	99484/100	99474/100	100	82	20	50		99443/100	99473/100
99480/127	99470/127	99484/127	99474/127	127	104	10	80		99443/127	99473/127
99481/072	99471/072	99485/072	99475/072	72	55	30	50	122	99443/072	99473/072
99481/100	99471/100	99485/100	99475/100	100	82	30	50		99443/100	99473/100
99481/127	99471/127	99485/127	99475/127	127	104	20	80		99443/127	99473/127
99482/072	99472/072	99486/072	99476/072	72	55	40	50	144	99443/072	99473/072
99482/100	99472/100	99486/100	99476/100	100	82	40	50		99443/100	99473/100
99482/127	99472/127	99486/127	99476/127	127	104	30	80		99443/127	99473/127



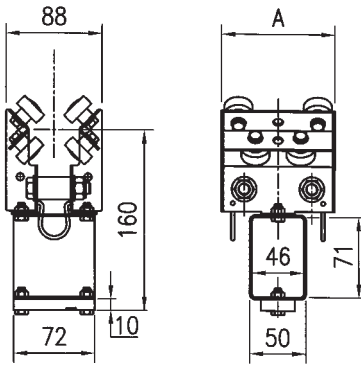
Pendant Trolley C/W Junction Box (Zinc Plated 99448) (Stainless Steel 99436)



Pendant Trolley with Quick Connect Plug

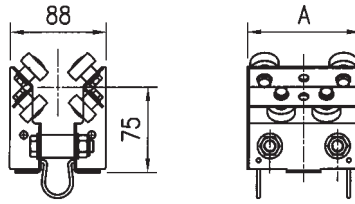
# STANDARD DUTY SQUARE TRACK ROUND CABLE TROLLEYS

## TOWING TROLLEY



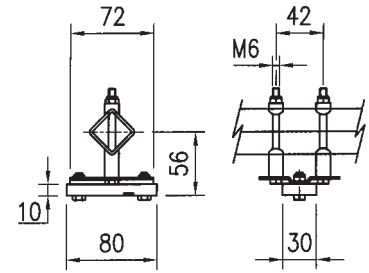
Towing Trolley Upper

## CABLE TROLLEY



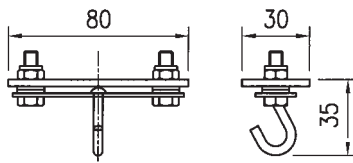
Cable Trolley Upper

## END CLAMP

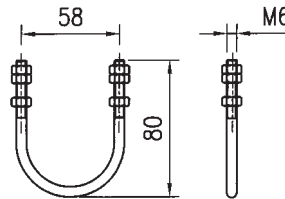


End Clamp Upper  
Zinc Plated 99455  
Stainless Steel 99456

Tow Trolley		Cable Trolley Upper		A	End Camp	
Zinc Plated	Stainless Steel	Zinc Plated	Stainless Steel		Zinc Plated	Stainless Steel
99453	99454	99487	99477	100	99455	99456
99496	99497	99488	99478	122		
99498	99499	99489	99479	144		



Swivel Hook  
Zinc Plated 99468  
Stainless Steel 99469



"U" Bolt Assembly  
Zinc Plated 99269  
Stainless Steel 99788

## ROUND CABLE CLIPS



Part No.	Cable Dia.	
	Min.	Max.
RC0509	5	9
RC1014	10	14
RC1519	15	19

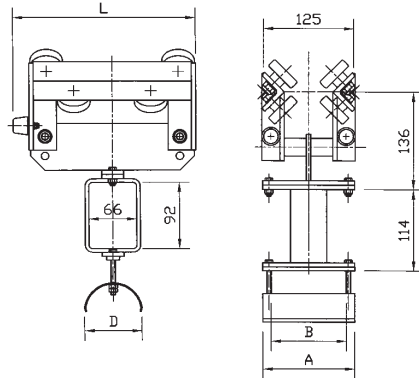
## ROUND CABLE CLAMPS



Part No.	Cable Dia.	
	Min.	Max.
99270	10	16
99271	17	25
99272	26	36

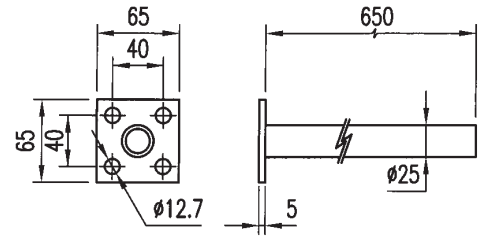
# HEAVY DUTY SQUARE TRACK FLAT CABLE TROLLEYS

## TOWING TROLLEY



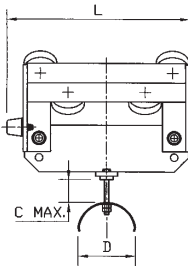
Towing Trolley

## TOWING ARM



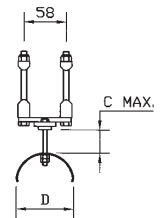
Towing Arm 99230

## CABLE TROLLEY



Cable Trolley

## END CLAMP



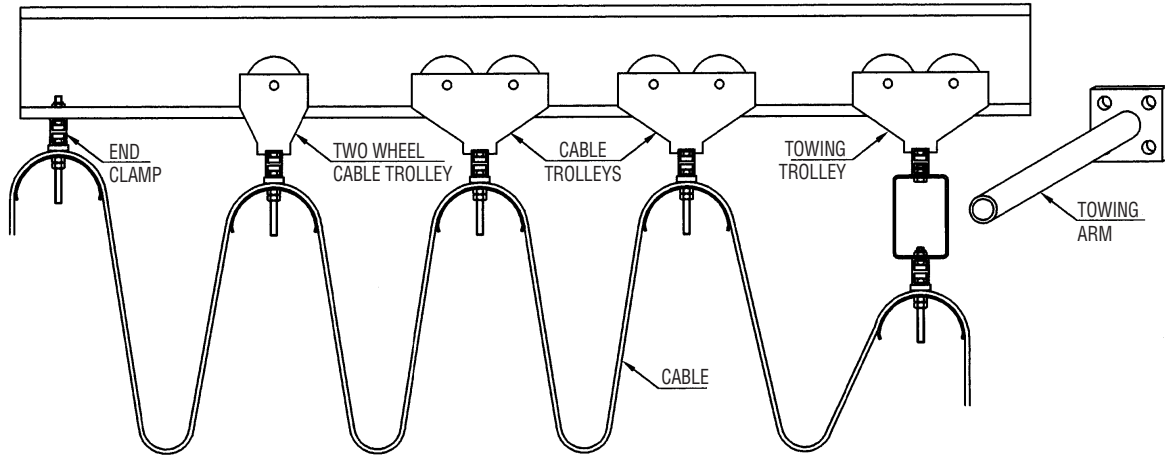
End Clamp

Tow Trolley	Cable Trolley	L	A	B	C max.	D	End Clamp
99540/072	99541/072	160	72	52	52	50	99543/072
99540/100	99541/100		100	80	50	50	99543/100
99540/127	99541/127		127	104	40	80	99543/127
99550/072	99551/072	200	72	52	70	50	99543/072
99550/100	99551/100		100	80	70	50	99543/100
99550/127	99551/127		127	104	50	80	99543/127
99550/160	99551/160		160	135	30	135	99543/160
99560/127	99561/127	250	127	104	75	80	99543/127
99560/160	99561/160		160	135	50	135	99543/160
99560/200	99561/200		200	175	40	160	99543/200
99570/160	99571/160	320	160	135	90	135	99543/160
99570/200	99571/200		200	175	75	160	99543/200
996570/250	99571/250		250	225	50	200	99543/250

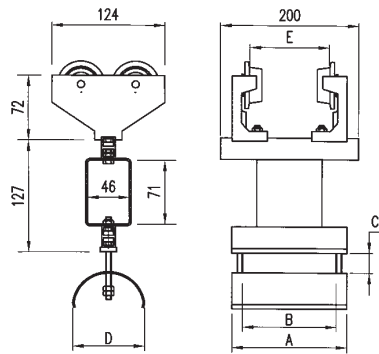
**For round cable systems  
consult your Conductix representative.**



# STANDARD DUTY BEAM TROLLEYS

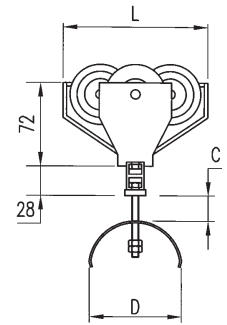


## TOWING TROLLEY



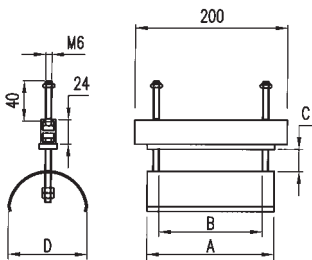
Towing Trolley

## CABLE TROLLEY (3 WHEEL)



Cable Trolley

## END CLAMP



End Clamp

Wheels	Tow Trolley	L	A	B	C max.	D	E min.	E max.	Cable Trolley	End Clamp
2	99600/072	62	72	55	15	50	40	160	99601/072	99604/072
	99600/100		100	80					99601/100	99604/100
3	99600/072	124	72	55	30	80	40	160	99602/072	99604/072
	99600/100		100	80					99602/100	99604/100
	99600/127		127	104					20	99602/127
4	99600/072	124	72	55	30	50	40	160	99603/072	99604/072
	99600/100		100	80					99603/100	99604/100
	99600/127		127	104					20	99603/127

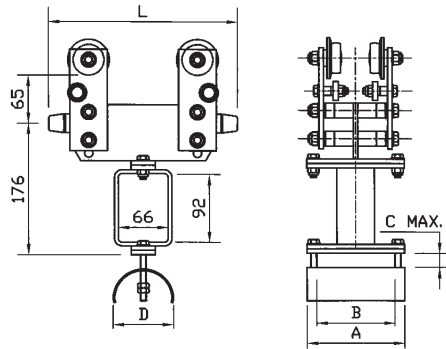
Part No.	Description
99600	4 Wheel Round Cable Towing Trolley
99605	2 Wheel Round Cable Trolley
99606	3 Wheel Round Cable Trolley
99607	4 Wheel Round Cable Trolley

Part No.	Description
99608	End Clamp
RC0509	05-09mm Dia. Cable Clip
RC1014	10-14mm Dia. Cable Clip
RC1519	15-19mm Dia. Cable Clip

Part No.	Description
97270	10-16mm Dia. Cable Clamp
97271	17-25mm Dia. Cable Clamp
97272	26-36mm Dia. Cable Clamp

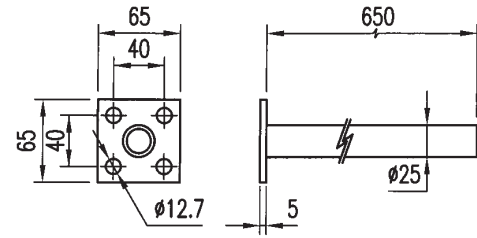
# MEDIUM DUTY BEAM TROLLEYS WITH FLANGED ROLLERS

## TOWING TROLLEY



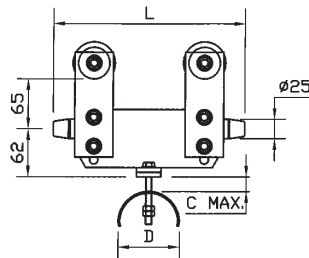
Towing Trolley

## TOWING ARM



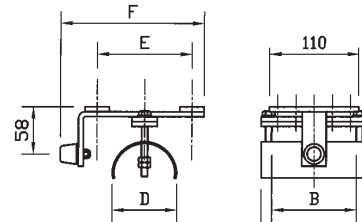
Towing Arm 99230

## CABLE TROLLEY



Cable Trolley

## END CLAMP



End Clamp

Tow Trolley	Cable Trolley	L	A	B	C max.	D	E	F	End Clamp
99620/072	99621/072	160	72	52	52	50	230	290	99623/072
99620/100	99621/100		100	80	50	50			99623/100
99620/127	99621/127		127	104	40	80			260
99624/072	99625/072	200	72	52	70	50	230	290	99623/072
99624/100	99625/100		100	80	70	50			99623/100
99624/127	99625/127		127	104	50	80			260
99624/160	99625/160		160	135	30	135	320	380	99623/160
99626/127	99627/127	250	127	104	75	80	260	320	99623/127
99626/160	99627/160		160	135	50	135	320	380	99623/160
99626/200	99627/200		200	175	40	160	340	400	99623/200
99628/160	99629/160	320	160	135	90	135	320	380	99623/160
99628/200	99629/200		200	175	75	160	340	400	99623/200
99628/250	99629/250		250	225	50	200	380	440	99623/250

**For round cable systems  
consult your Conductix representative.**

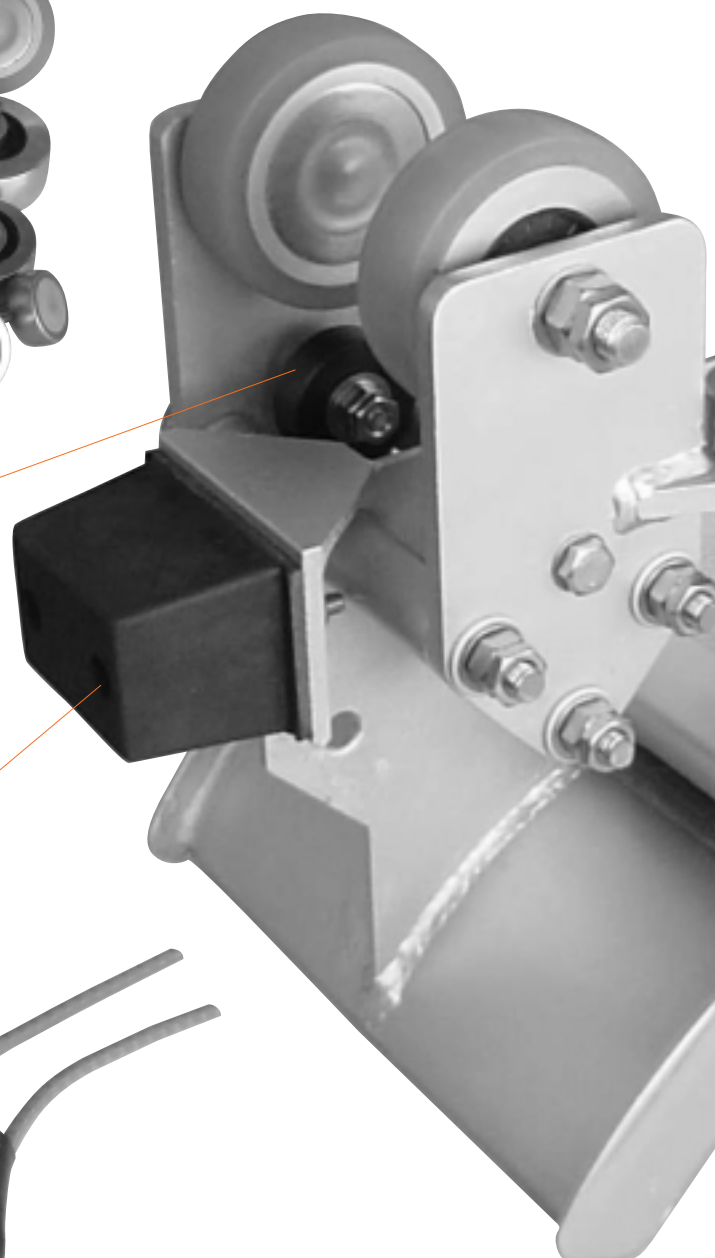
## MAIN ROLLERS

- Designed to carry high cable loads at high speed.
- Sized from Ø50 to Ø150mm.
- Hardened steel or polyurethane tyred with crowned or flanged configuration.
- Marine-grade aluminium body for light weight and durability and incorporating high quality sealed precision bearings, backed up by a secondary seal to protect against the corrosive environment.
  - Easily replaceable.



## ANTI-LIFT ROLLERS

- To keep trolleys tracking truly and for maximum reliability.
  - Sized Ø50mm.
  - Nylon bushing arrangement to prevent locking after being stationary for long periods.



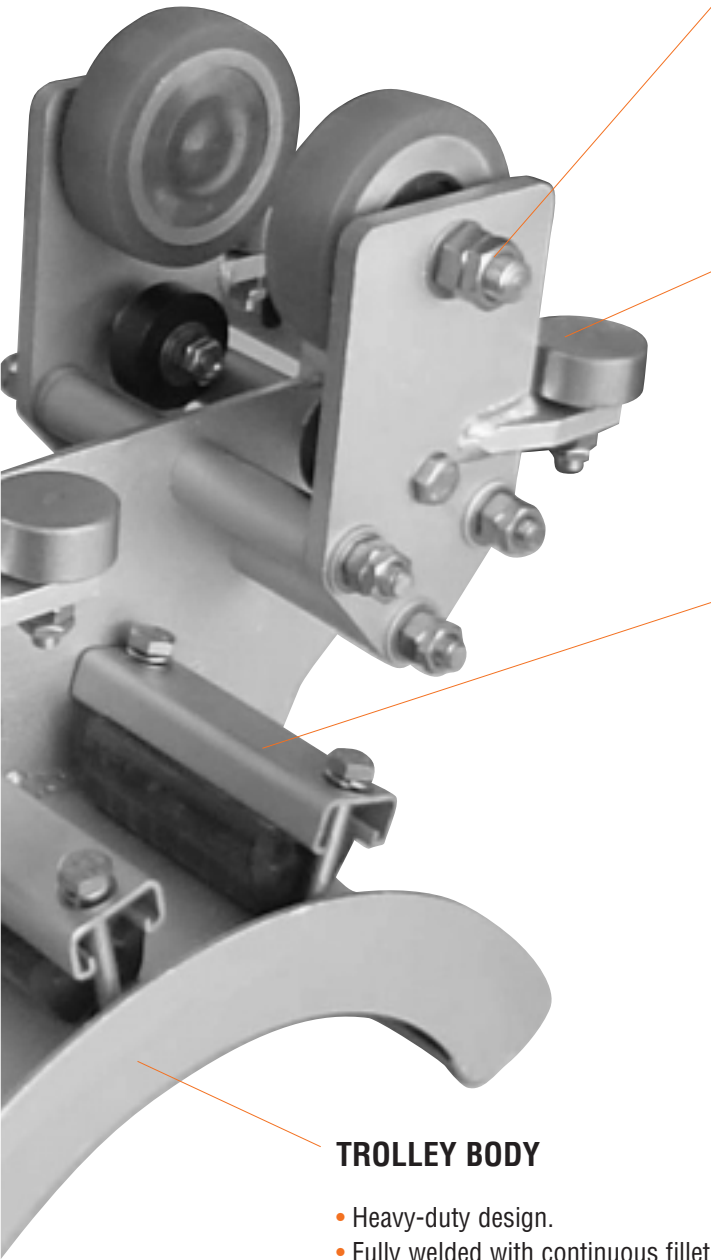
## RUBBER BUFFERS

- To provide maximum impact absorption.
  - Manufactured from resilient moulded natural rubber.

## SHOCK CORDS WITH PROTECTIVE SOCKS

- To provide smooth operation.
  - Available in Ø16 or Ø20.
- Wear-resistant nylon outer sheath for maximum life.
- Unique wear-resistant rubber sock for further extended life.





### TROLLEY HARDWARE

- For strength and maintainability.
- 304ss hardware or optional 316ss.
- Minimum thread size of Ø10mm.

### SIDE GUIDE ROLLERS

- Designed to keep trolleys tracking truly and for maximum reliability.
- Sized in 45 and 80mm.
- Hardened steel for maximum life.
- Bearings sealed for life.

### CABLE CLAMPS

- To hold cables gently and firmly.
- Manufactured from heavy-duty extruded natural rubber.
- Sliced and perforated design to evenly distribute the clamping force across all cables.
- Flexible rubber does not overstress cables.
- 1, 2 or 3 clamps can be fitted per trolley side.

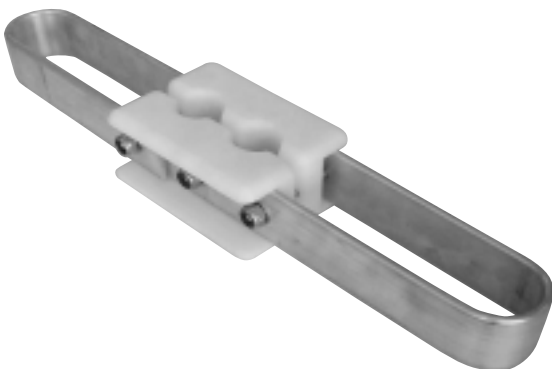
### TROLLEY BODY

- Heavy-duty design.
- Fully welded with continuous fillet welds for uncompromised strength.
- Hot dip galvanised for protection against corrosive environments.

### ENGINEERING

Most heavy-duty festoon systems have a unique combination of demand factors such as speed, cable load, environment, space constraints, etc. Conductix makes use of over 30 years of experience to provide systems carefully designed to match each application.

Years of continuous product advancement have brought product enhancements to maximise durability, reliability and the protection of cables.

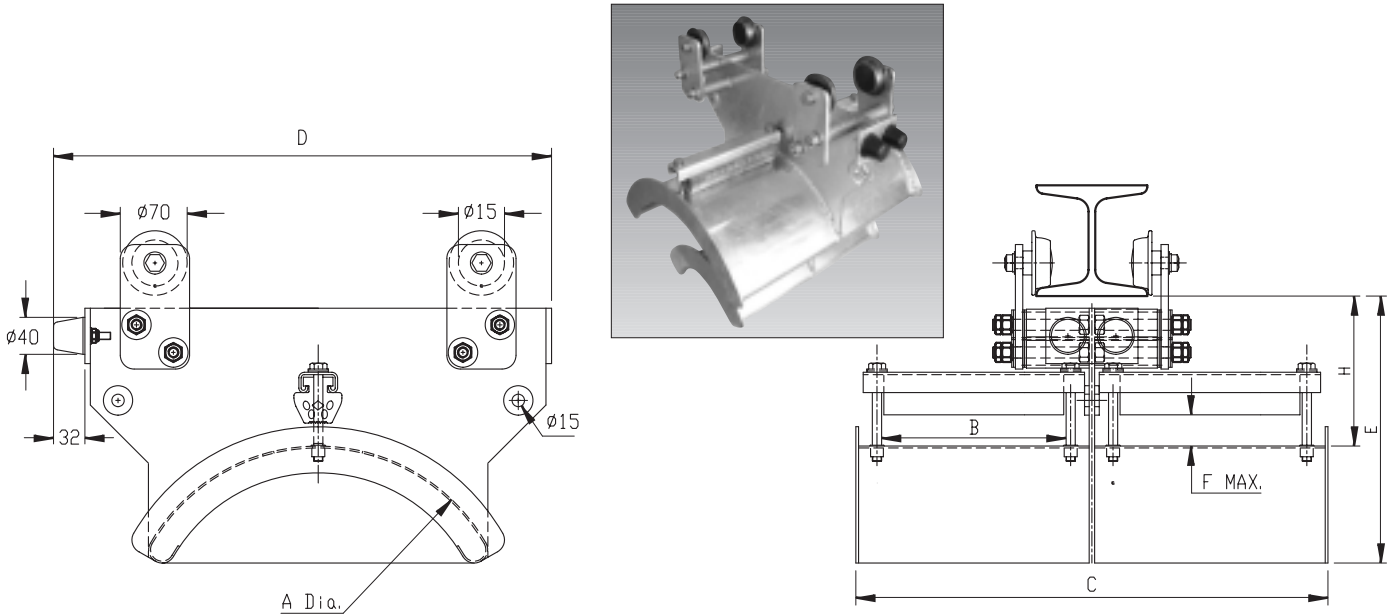


### CABLE ORGANISER

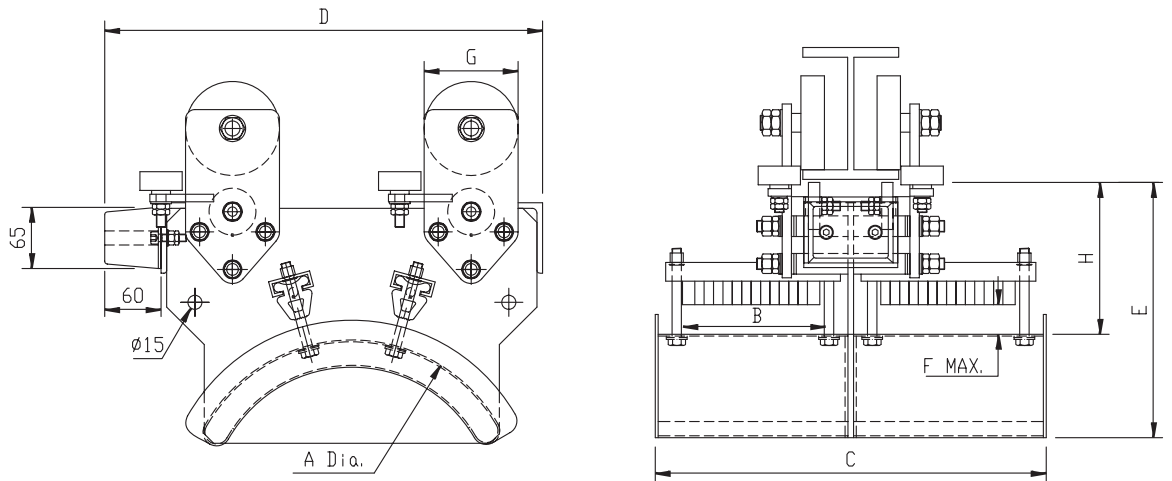
- To provide maximum protection for cables.
- Manufactured from nylon and aluminium to be light weight and corrosion resistant.
- Fixes only two large cables and allows all others to "float" ensuring stresses cannot be transmitted to smaller cables.
- Smooth and rounded edges throughout to protect cables.
- Protected bolt heads to ensure they remain tightly in position for life.

# HEAVY DUTY BEAM SYSTEMS

## HEAVY DUTY BEAM SYSTEMS WITH FLANGED ROLLERS



## HEAVY DUTY BEAM SYSTEMS WITH MAIN SIDE GUIDE & ANTI-LIFT ROLLERS



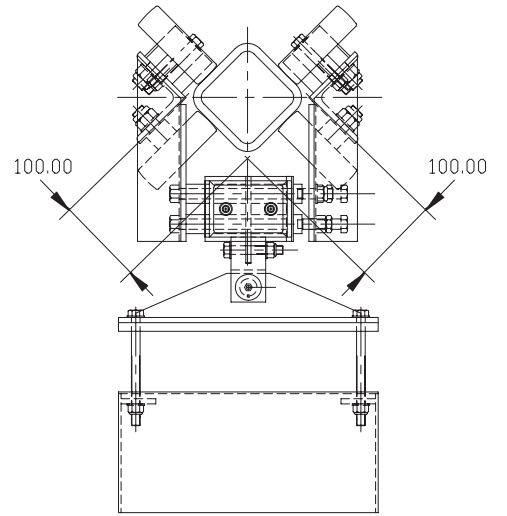
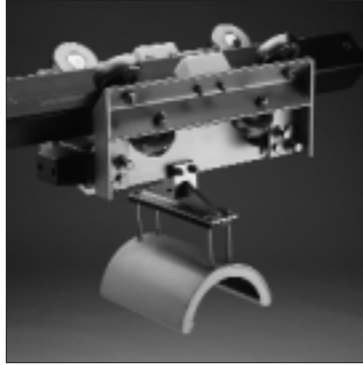
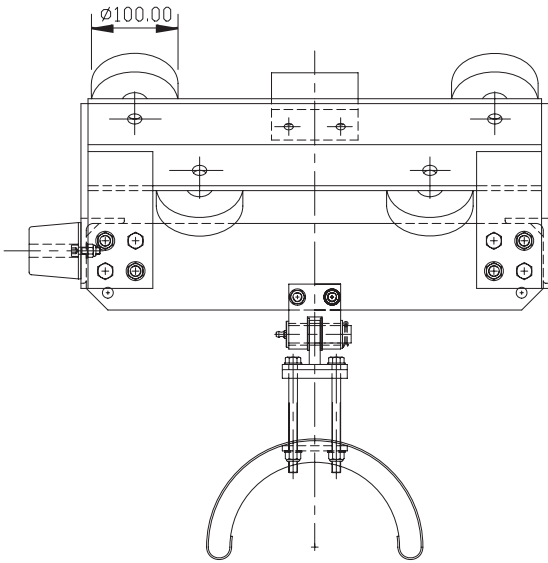
**CABLE TROLLEY DIMENSIONS**

	A	B	C	D	E	F	H
FLAT CABLE	160	100	312	300	240	55	175
	160	200	512	300	240	55	175
	200	100	312	400	280	85	205
	200	200	512	400	280	85	205
ROUND CABLE	250	100	312	330	230	25	145
	250	200	512	330	230	25	145
	250	300	712	330	230	25	145
	300	100	312	400	260	30	150
	300	200	512	400	260	30	150
	300	300	712	400	260	30	150
	360	100	312	465	270	36	155
	360	200	512	465	270	36	155
	360	300	712	465	270	36	155
	420	100	312	540	300	42	160
	420	200	512	540	300	42	160
	420	300	712	540	300	42	160
480	100	312	610	310	48	165	
480	200	512	610	310	48	165	
480	300	712	610	310	48	165	

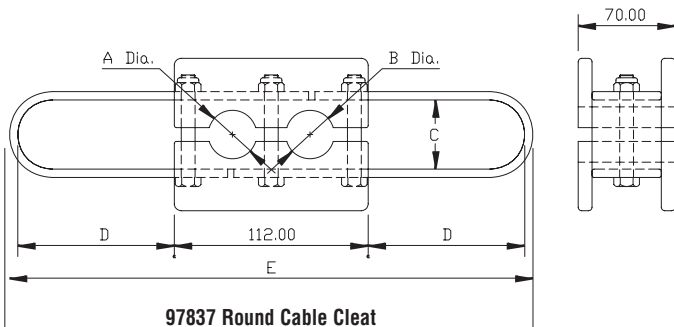
Roller G available in 50, 100 & 150mm. dias. steel or polyurethane tyred



# EXTRA HEAVY DUTY SQUARE TRACK SYSTEMS & ACCESSORIES



## CABLE CLEATS

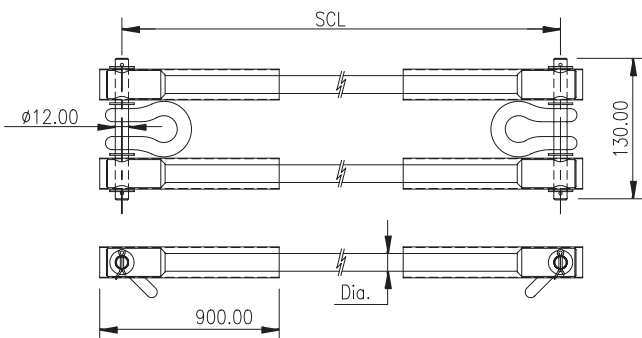
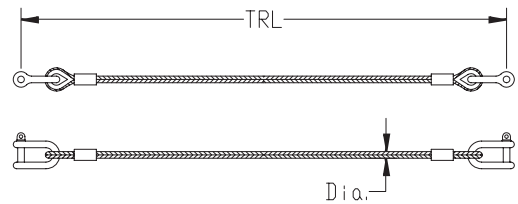


97837 Round Cable Cleat

Dimensions							
A Dia.		B Dia.		C		D	E
MIN	MAX	MIN	MAX	MIN	MAX		
15	48	15	48	40	60	50	252
15	48	15	48	40	60	150	452
15	48	15	48	40	60	250	652

Dia. mm.	Gal. Steel	Gal. Steel PVC. Coat	Stainless Steel	S/S PVC Coat
8	99680	90307	90310	90313
10	99681	90308	90311	90314
12	99682	90309	90312	90315

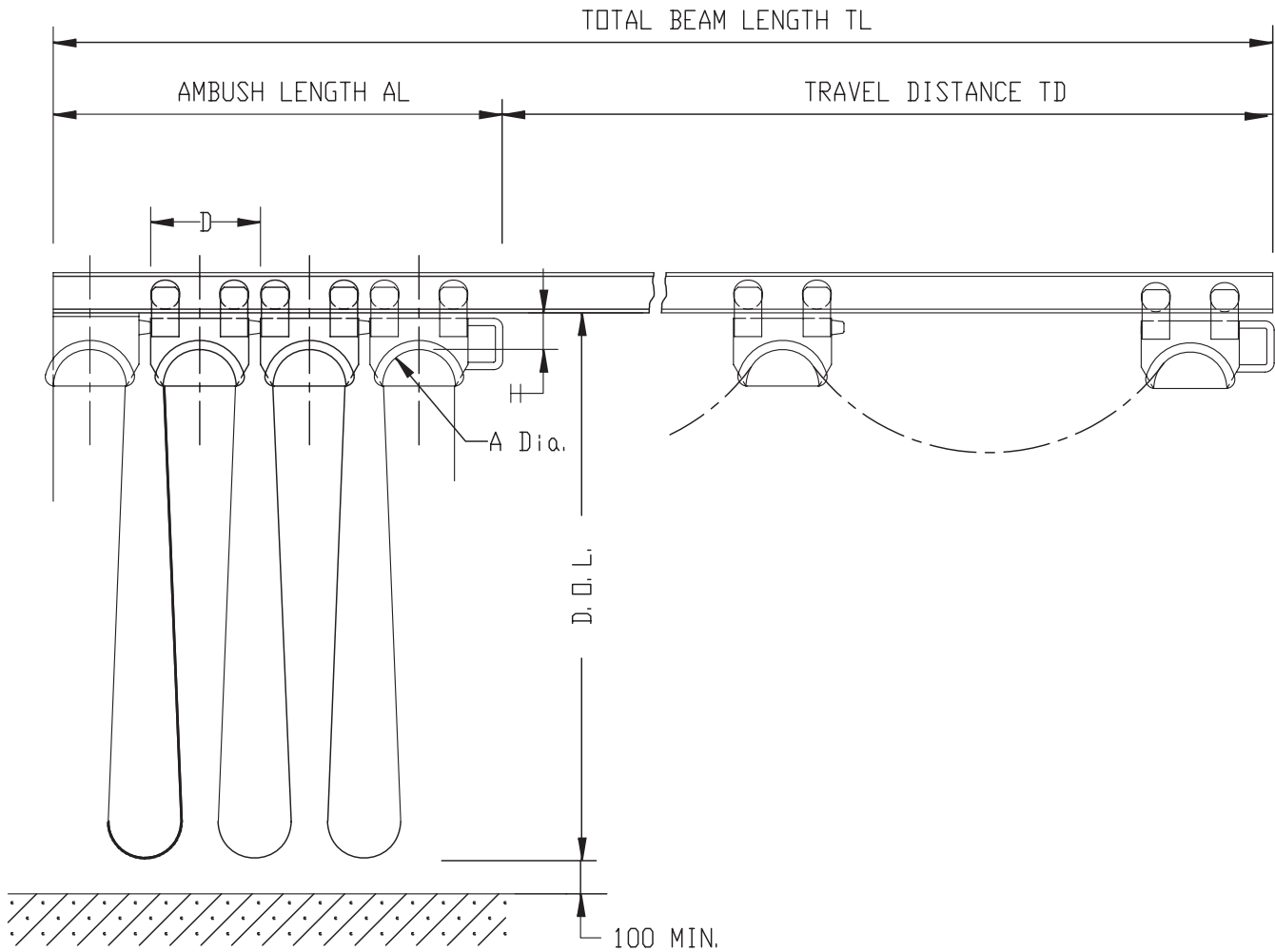
Suffix Part No. with tow rope length



Suffix Part No. with shock cord length

Dia. mm	Part No.
16	97832
24	97834

# SYSTEM CALCULATIONS



Cable required within the system (CS) =  $TL \times Cf$  (Excludes cable for terminations)

Cable required per loop (CL) =  $CS/N$

Number of loops (N) = 
$$\frac{CS}{2 (DOL - H - A \text{ Dia.}) + (A \text{ Dia.} \times 3.14)}$$

Depth of loop (DOL) = 
$$\frac{(CL - A \text{ Dia.} \times 3.14)}{2} + A \text{ Dia.} + H$$

Ambush length (AL) =  $(N + 1) D$

Tow rope length (TRL) =  $(CL - D) \times 0.9$

Shock cord length (SCL) =  $TRL \times 0.65$

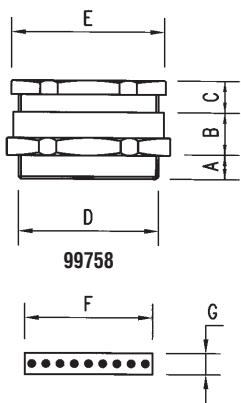
## Cable Loop Factor Cf

Speed M / min.	Depth of Loop ( m.)		
	1.5 - 2	2 - 5	5 - 8
0 - 50	1.15	1.1	1.1
50 - 100	1.2	1.15	1.1
100 -150	1.25	1.2	1.2
150 -240	1.3	1.25	1.25
> 240	Consult Sales Office		

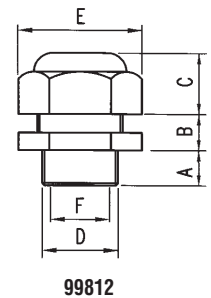
## CABLE

	Part No.	No. of Cores x Cross Section (mm <sup>2</sup> )	Nominal External Dim. (mm)	Cable Weight kg/m	Current Rating Protected from the Sun (Amps)	Cable Gland Required
FLAT CABLE	99813	5 x 1.5	5.1 x 17.7	0.16	15	99758/29
	98134	8 x 1.5	5.1 x 27.3	0.25	15	99758/29
	F12015PVC	12 x 1.5	5.1 x 40.5	0.37	15	99758/42
	F14015PVC	14 x 1.5	5.1 x 46.2	0.42	15	99758/48
	98136	4 x 2.5	5.8 x 18.1	0.19	20	99758/21
	98137	5 x 2.5	5.8 x 21.6	0.25	20	99758/36
	98138	12 x 2.5	5.8 x 49.5	0.55	20	99758/48
	98139	4 x 4	6.7 x 20.1	0.27	25	99758/29
	98140	4 x 6	7.2 x 22.4	0.36	38	99758/36
	98141	4 x 10	9.2 x 28.7	0.71	52	99758/36
	98142	4 x 16	11.1 x 37.1	0.84	70	99758/42
	98143	4 x 25	13 x 42.5	1.34	95	99758/48
	98144	4 x 35	14.5 x 49.6	1.80	115	99758/48
	98145	4 x 50	17.5 x 58.4	2.52	140	99808
	98146	4 x 70	20.0 x 63.0	3.67	175	99808
	ROUND CABLE	CT0815AU*	8 x 1.5	13.0 dia.	0.419	15
CT1615AU*		16 x 1.5	17.0 dia.	0.594	15	99812
CT2015AU*		20 x 1.5	19.0 dia.	0.789	15	99812
CT2510AU*		25 x 1.0	21.0	0.60	10	99812

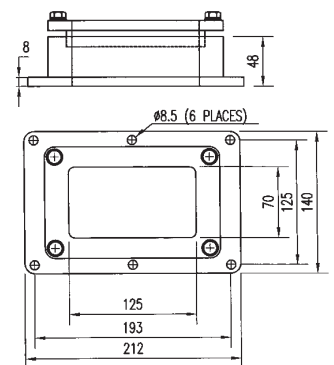
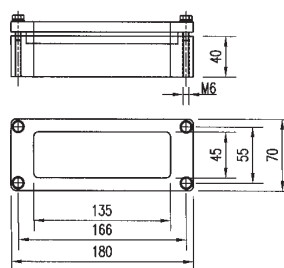
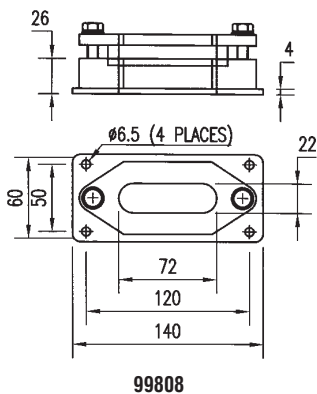
\*Cables complete with two built in steel strainer wires.



Part No.	A	B	C	D	E	F min.	F max.	G min.	G max.	
99758/16	6.5	14	7	PG16	22.5	22	13	16	4	6
99758/21	7	15	8	PG21	28.3	28	14	20	4	8.5
99758/29	8	18	0	PG29	37	37	18	28	4	12
99758/36	9	20	10	PG36	47	47	26	40	4	13
99758/42	10	21	11	PG42	54	54	29	45	4	14
99758/48	10	23	12	PG48	59.3	60	40	50	7	8
99812	15	16	26	32mm	32	45	Ø12	Ø24		



Note: Cable glands manufactured from zinc plated brass or aluminium (except 99812 which is plastic)



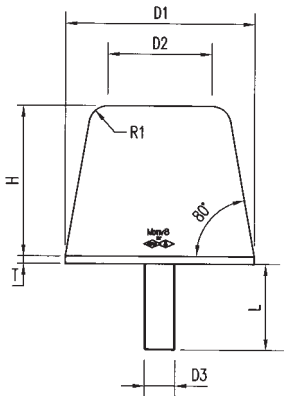
99808

99809

99810

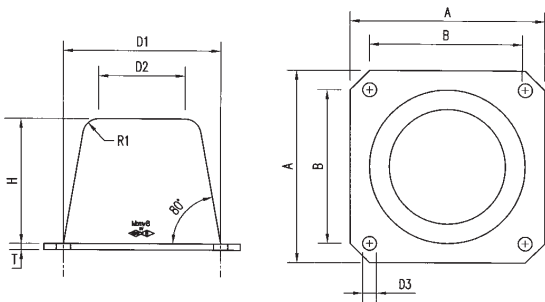
# RUBBER BUFFERS

## STUD TYPE



Part No.	D1	D2	D3	R1	H	L	T
99725/025	25	18	M6	3	20	10	2
99725/040	40	27	M8	5	32	28	2
99725/050	50	38	M10	5	40	28	2
99725/080	80	57	M12	6	63	37	3
99725/100	100	73	M16	10	80	45	4
99725/125	125	92	M16	13	100	45	4
99725/160	160	114	M20	20	125	48	6
99725/200	200	147	M20	25	160	48	6
99725/250	250	183	M24	32	200	50	8

## PLATE TYPE



Part No.	D1	D2	D3	R1	A	B	H	T
99726/080	80	57	9	6	100	80	63	3
99726/100	100	73	9	10	125	100	80	4
99726/125	125	92	11	13	160	125	100	4
99726/160	160	114	11	20	200	160	125	6
99726/200	200	147	13	25	250	200	160	6
99726/250	250	183	13	32	315	250	200	8

**STEP 1** Calculate the kinetic energy to be absorbed using one of the following formulas.

**Note:** Crane lift loads should not be added to W1 or W2 if the load is able to swing freely.

**STEP 2** Divide the kinetic energy by the number of buffers to be used.

**STEP 3** Select the appropriate buffer from the following chart.

Part No.		E (J)	Maximum Compression Length (mm)
Stud Type	Plate Type		
99725/025		25	10
99725/040		50	16
99725/050		100	20
99725/080	99726/080	400	32
99725/100	99726/100	800	40
99725/125	99726/125	1600	50
99725/160	99726/160	3200	63
99725/200	99726/200	6400	80
99725/250	99726/250	12500	100

### Buffer Calculation Formulas:

#### Crane Bridge

$$E = \frac{(1/2W1+W2) \times V1^2}{2}$$

#### Crab

$$E = 1/2W1 \times V2^2$$

Where:

W1 = Crane Bridge Weight in kg.

W2 = Crab Weight in kg.

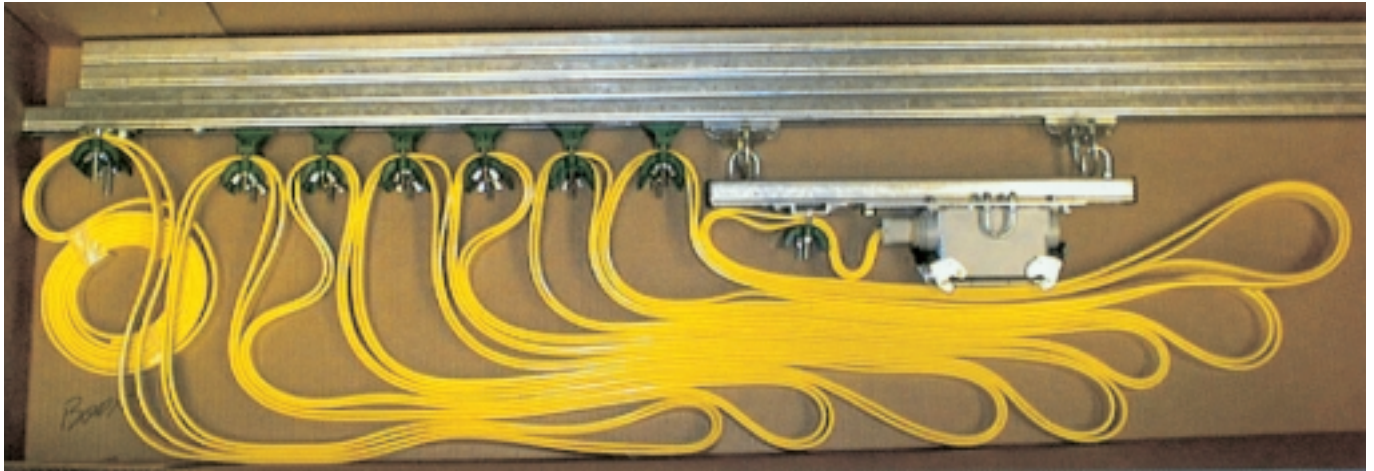
V1 = Crane Bridge Speed in m/s.

V2 = Crab Speed in m/s.

E = Kinetic Energy in Joules.

**Or consult your  
Conductix representative**

Conductix offers complete factory pre-assembled systems carefully assembled by experienced personnel working under ideal conditions. Pre-assembly reduces potential field problems as well as installation time and expense.



**Typical control system shipped in a box.**

Note that control trolley is also pre-wired which reduces installation time.

**Completed system prepared for a ship-unloader.**

Shipping systems by flatbed trailer facilitates unloading and hoisting of the system into position.



**Heavy Duty I-Beam festoon in shipping frame.**

**Heavy Duty C-Track in crate with control trolley.**







POWER AND DATA TRANSFER

## HEADQUARTERS

### DELACHAUX S.A.

119 Avenue Louis Roche -BP152  
92231 Gennevilliers Cedex  
FRANCE  
Tel : +33 (0) 1 46 88 15 00  
Fax : +33 (0) 1 46 88 15 01  
www.delachaux.fr  
delachomgt@delachaux.fr

### CONDUCTIX OPERATIONS

119 Avenue Louis Roche-BP152  
92231 Gennevilliers Cedex  
FRANCE  
Tel : +33 (0) 1 46 88 15 13  
Fax : +33 (0) 1 46 88 15 10  
conductix@delachaux.fr  
www.conductix.com

## Countries where we are represented :

Algeria, Argentina, Austria, Bahrain, Bolivia, Brasil, Bulgaria, Camerouns, Chile, China, Colombia, Congo, Ivory Coast, Croatia, Czechia, Denmark, U.A.S., Ecuador, Egypt, Finland, Gabon, Greece, Guatemala, Guinea, Honduras, Hungary, Indonesia, India, Iraq, Iran, Ireland, Israel, Japan, Jordania, Korea, Kuwait, Lebanon, Madagascar, Malaysia, Mali, Mauritania, Mexico, Morocco, Netherlands, New Zealand, Niger, Nigeria, Norway, Pakistan, Panama, Paraguay, Peru, Philippines, Poland, Portugal, Rumania, Russia, Saudi Arabia, Senegal, Singapore, Slovakia, South Africa, Spain, Sweden, Switzerland, Syria, Thailand, Tunisia, Turkey, Uruguay, Venezuela, Viet-Nam...

## Subsidiary companies

### AUSTRALIA

CONDUCTIX Pty. Ltd. (Insul-8)

Dandenong  
Tel: + (61) 3 97 06 88 44  
Fax: + (61) 3 97 94 92 98  
info@conductix.com.au  
www.conductix.com.au

### BENELUX

CONDUCTIX Benelux

Brussels  
Tel: + (32) (0) 2 469 25 60  
Fax: + (32) (0) 2 469 29 35  
info@conductix.be  
www.conductix.be

### CANADA

CONDUCTIX Corp. (Insul-8)

St Jérôme  
Tel: + (1) 450 585 9900  
Fax: + (1) 450 432 6985  
infoCanada@conductix.us  
www.conductix.us

### CHINA

CONDUCTIX Ltd (Han Fa)

Wuhan  
Tel: + (86) 27 83 49 99 88  
Fax: + (86) 27 83 49 99 89  
info@conductix.cn  
www.conductix.cn

### FRANCE

CONDUCTIX (Delachaux)

Belley  
Tel: + 33 (0) 4 79 42 50 00  
Fax: + 33 (0) 4 79 42 50 05  
infoconductix@delachaux.fr  
www.conductix.fr

### Gennevilliers

Tel: + 33 (0) 1 46 88 15 23  
Fax: + 33 (0) 1 46 88 15 21  
infoconductix@delachaux.fr  
www.conductix.fr

### GERMANY / AUSTRIA

CONDUCTIX GmbH

Offenbach / Main  
Tel: + (49) 69 98 40 23 0  
Fax: + (49) 69 98 40 23 99  
info@conductix.de  
www.conductix.de

### ITALY

CONDUCTIX Srl (Comes)

Milan  
Tel: + 39 (0) 39 607 431  
Fax: + 39 (0) 39 607 43292  
info@conductix.it  
www.conductix.it

### Turin

Tel: + 39 (0) 11 45 09 007  
Fax: + 39 (0) 11 42 41 008  
info@conductix.it  
www.conductix.it

### MEXICO

CONDUCTIX S.de R.L. de C.V. (Insul-8)

Monterrey  
Tel : + (52) 811 090 9013  
Fax : + (52) 811 090 9014  
infoMexico@conductix.us  
www.conductix.com-mx

### UNITED KINGDOM

CONDUCTIX Ltd (Insul-8)

Salford  
Tel: + (44) 161 848 01 61  
Fax: + (44) 161 873 70 17  
info@conductix.co.uk  
www.conductix.co.uk

### UNITED STATES

CONDUCTIX, Inc. (Insul-8)

Omaha, NE  
Tel: + (1) 402 339 9300  
Fax: + (1) 402 339 9627  
info@conductix.us  
www.conductix.us

### Harlan, IA

Tel: + (1) 712 755 2246  
Fax: + (1) 402 952 9381  
info@conductix.us  
www.conductix.us